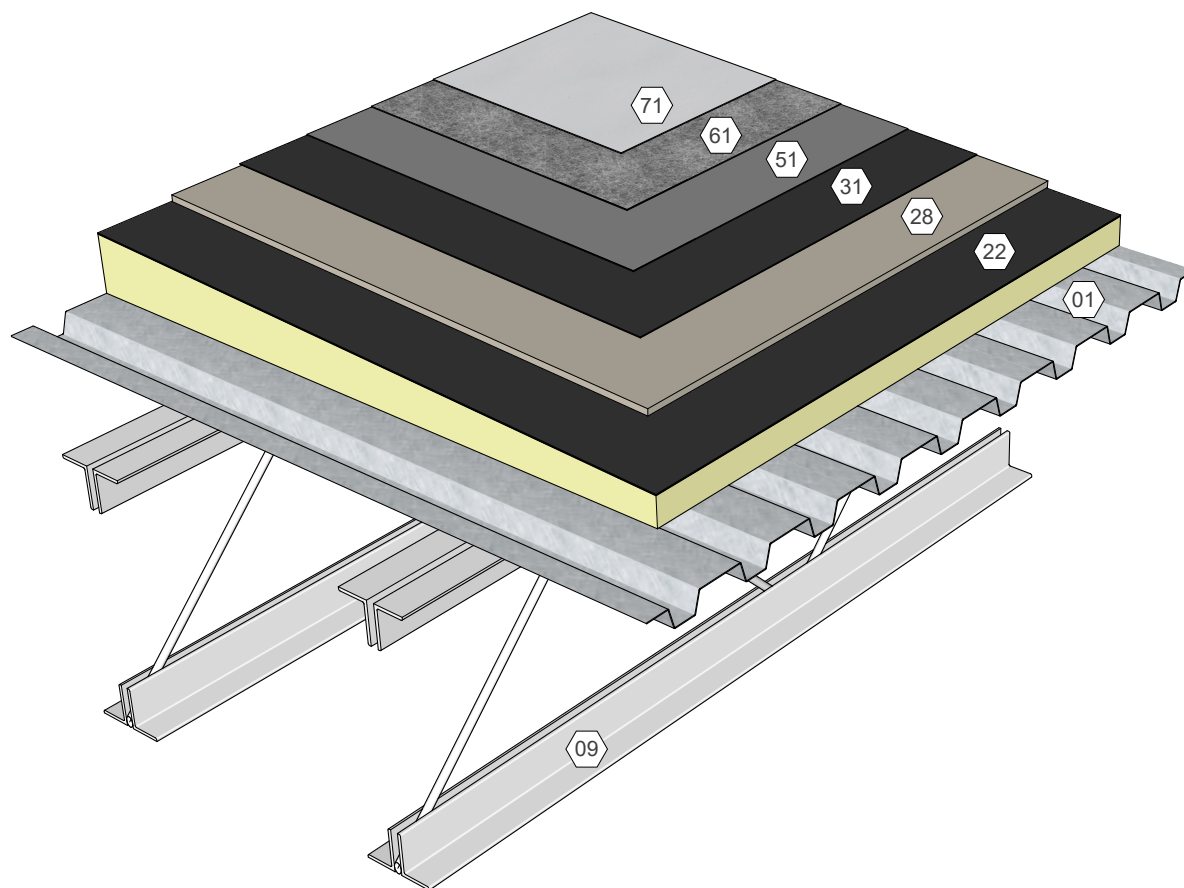


## KEY NOTES

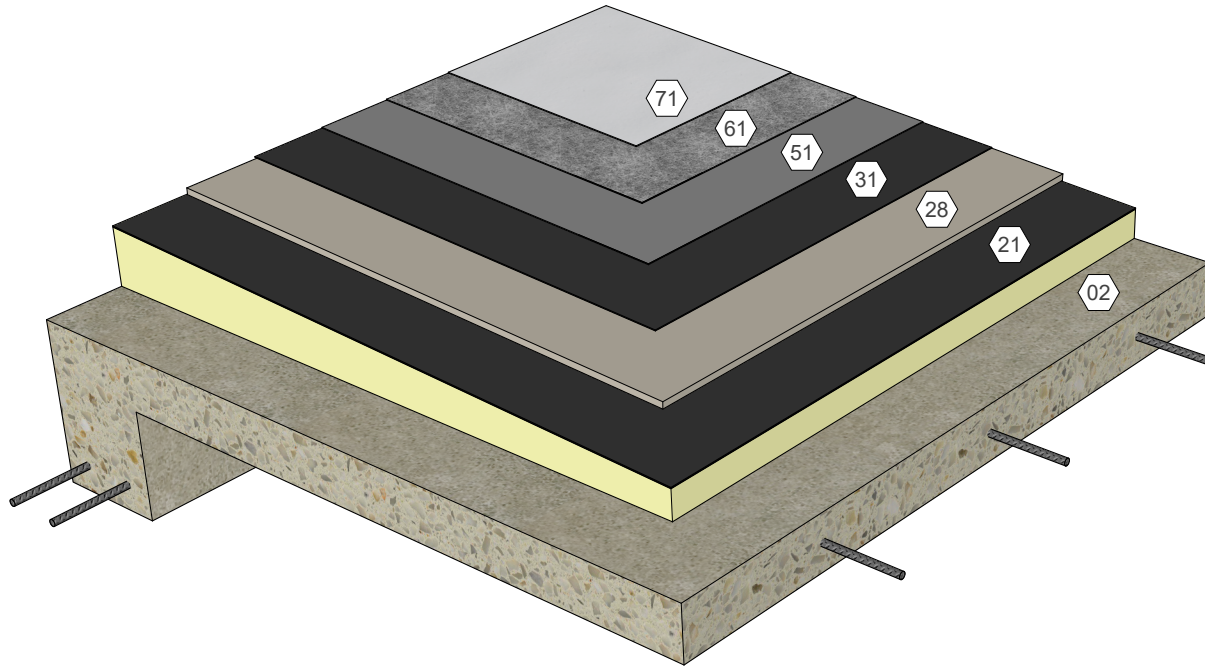
- 01 Metal Deck
- 09 Roof Structure
- 22 Polyisocyanurate Insulation (Fastened or Adhered)
- 28 Cover Board (Adhered)
- 31 Approved Base Ply Sheet
- 51 AlphaGuard BIO Base Coat
- 61 AlphaGuard Glass Mat or Permafab
- 71 AlphaGuard BIO Top Coat



AlphaGuard® BIO Plus System Components, Metal Deck  
Detail 23001

## KEY NOTES

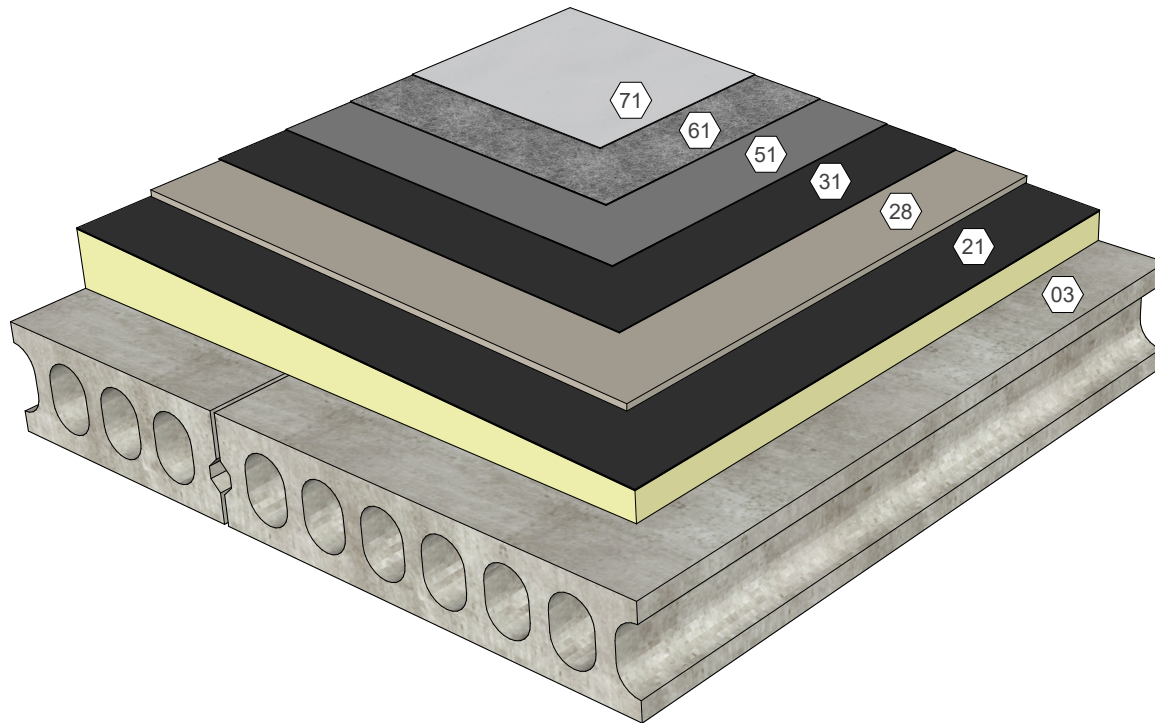
- 02 Structural Concrete Deck
- 21 Polyisocyanurate Insulation (Adhered)
- 28 Cover Board (Adhered)
- 31 Approved Base Ply Sheet
- 51 AlphaGuard BIO Base Coat
- 61 AlphaGuard Glass Mat or Permafab
- 71 AlphaGuard BIO Top Coat



AlphaGuard® BIO Plus System Components, Structural Concrete Deck  
Detail 23002

## KEY NOTES

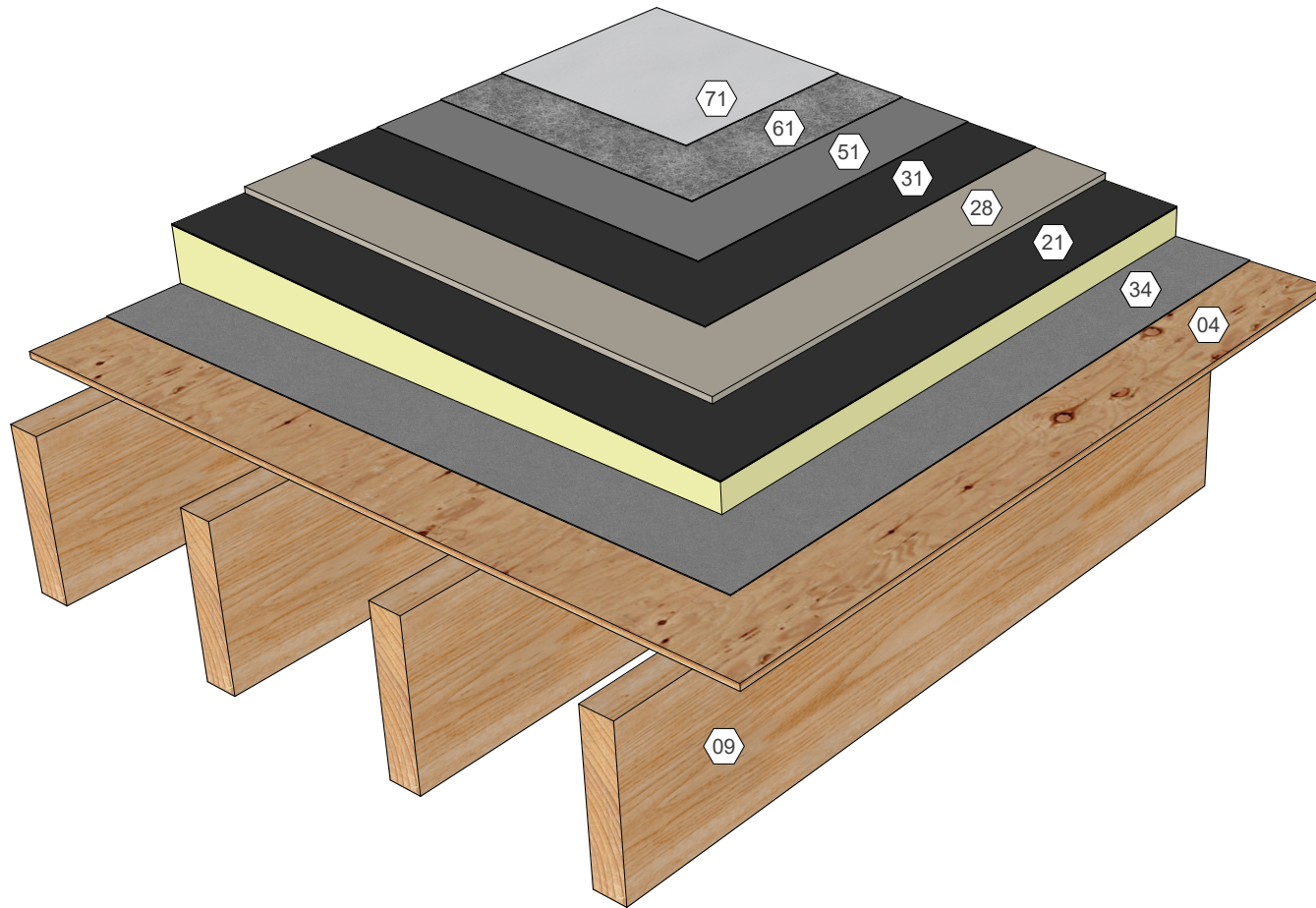
- 03 Precast Concrete Deck
- 21 Polyisocyanurate Insulation (Adhered)
- 28 Cover Board (Adhered)
- 31 Approved Base Ply Sheet
- 51 AlphaGuard BIO Base Coat
- 61 AlphaGuard Glass Mat or Permafab
- 71 AlphaGuard BIO Top Coat



AlphaGuard® BIO Plus System Components, Precast Concrete Deck  
Detail 23003

## KEY NOTES

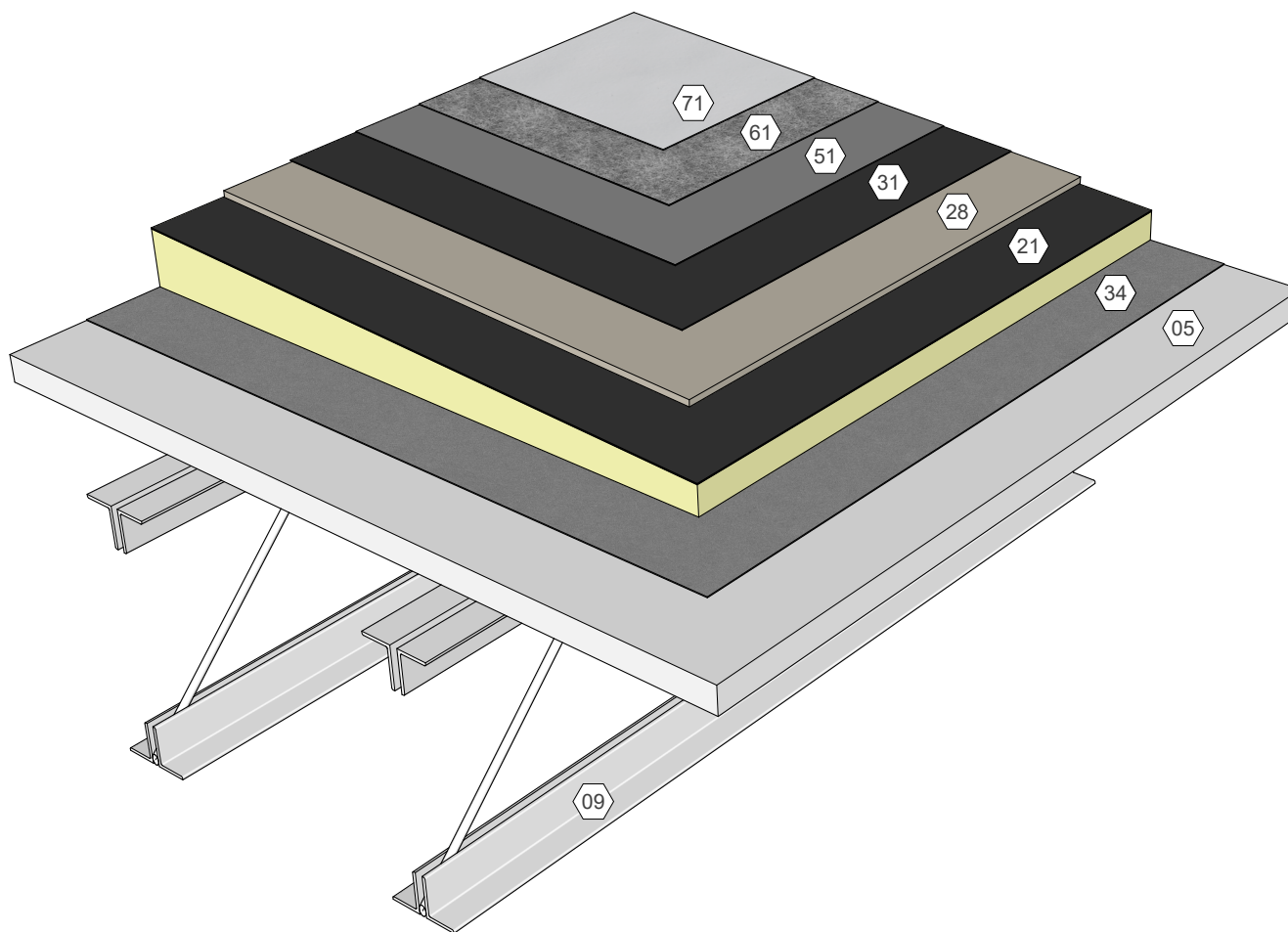
- 04 Wood Deck
- 09 Roof Structure
- 21 Polyisocyanurate Insulation (Adhered)
- 28 Cover Board (Adhered)
- 31 Approved Base Ply Sheet
- 34 Base Sheet (Fastened)
- 51 AlphaGuard BIO Base Coat
- 61 AlphaGuard Glass Mat or Permafab
- 71 AlphaGuard BIO Top Coat



AlphaGuard® BIO Plus System Components, Wood Deck  
Detail 23004

## KEY NOTES

- 05 Gypsum Deck
- 09 Roof Structure
- 21 Polyisocyanurate Insulation (Adhered)
- 28 Cover Board (Adhered)
- 31 Approved Base Ply Sheet
- 34 Base Sheet (Fastened)
- 51 AlphaGuard BIO Base Coat
- 61 AlphaGuard Glass Mat or Permafab
- 71 AlphaGuard BIO Top Coat



AlphaGuard® BIO Plus System Components, Gypsum Deck  
Detail 23005